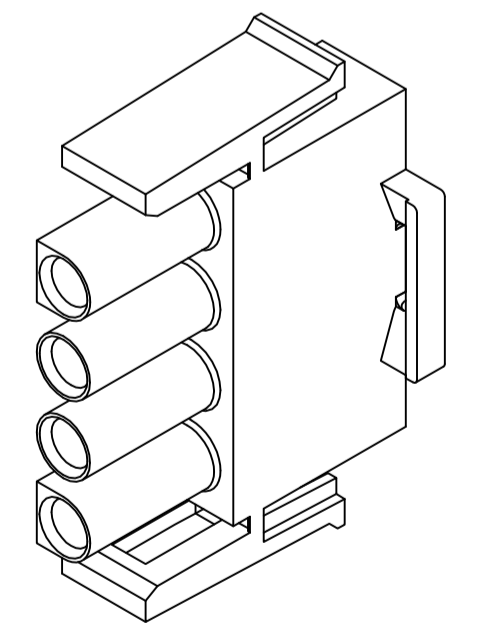
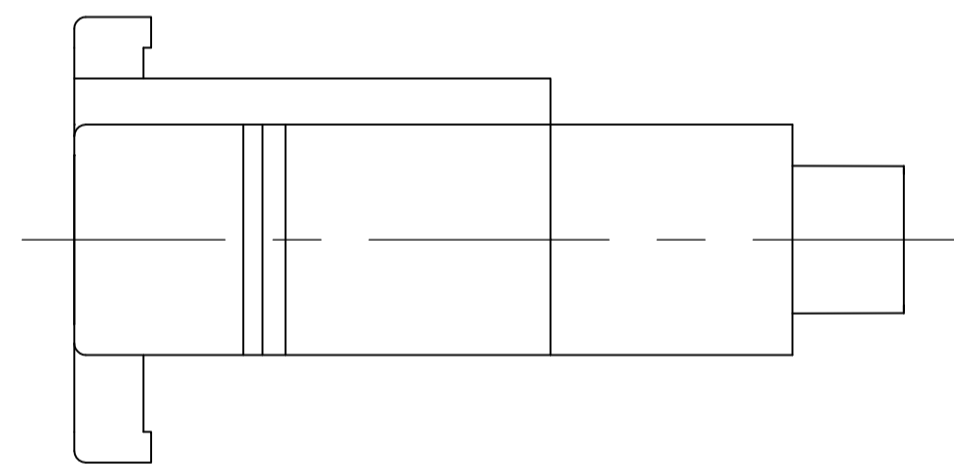
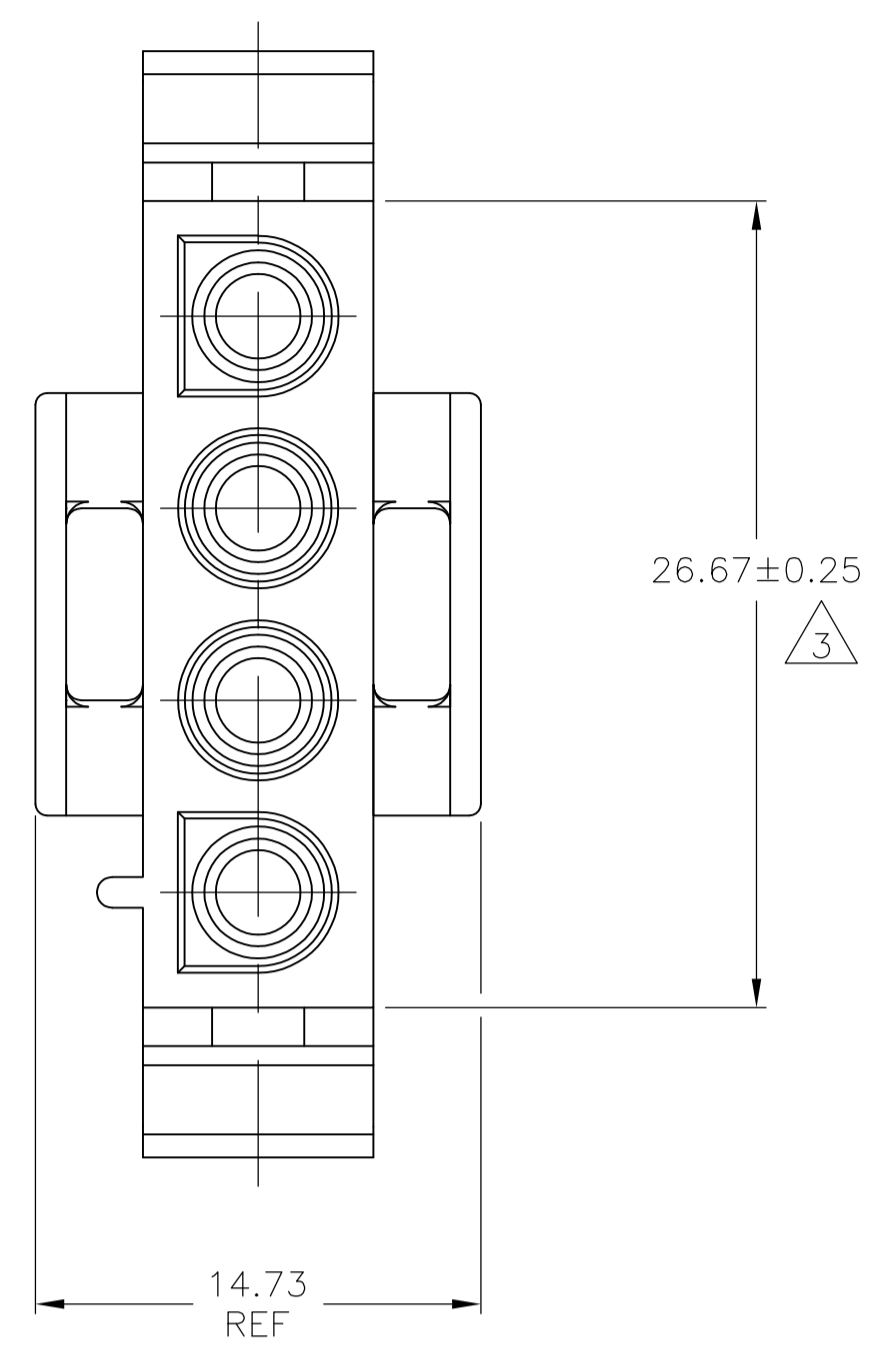
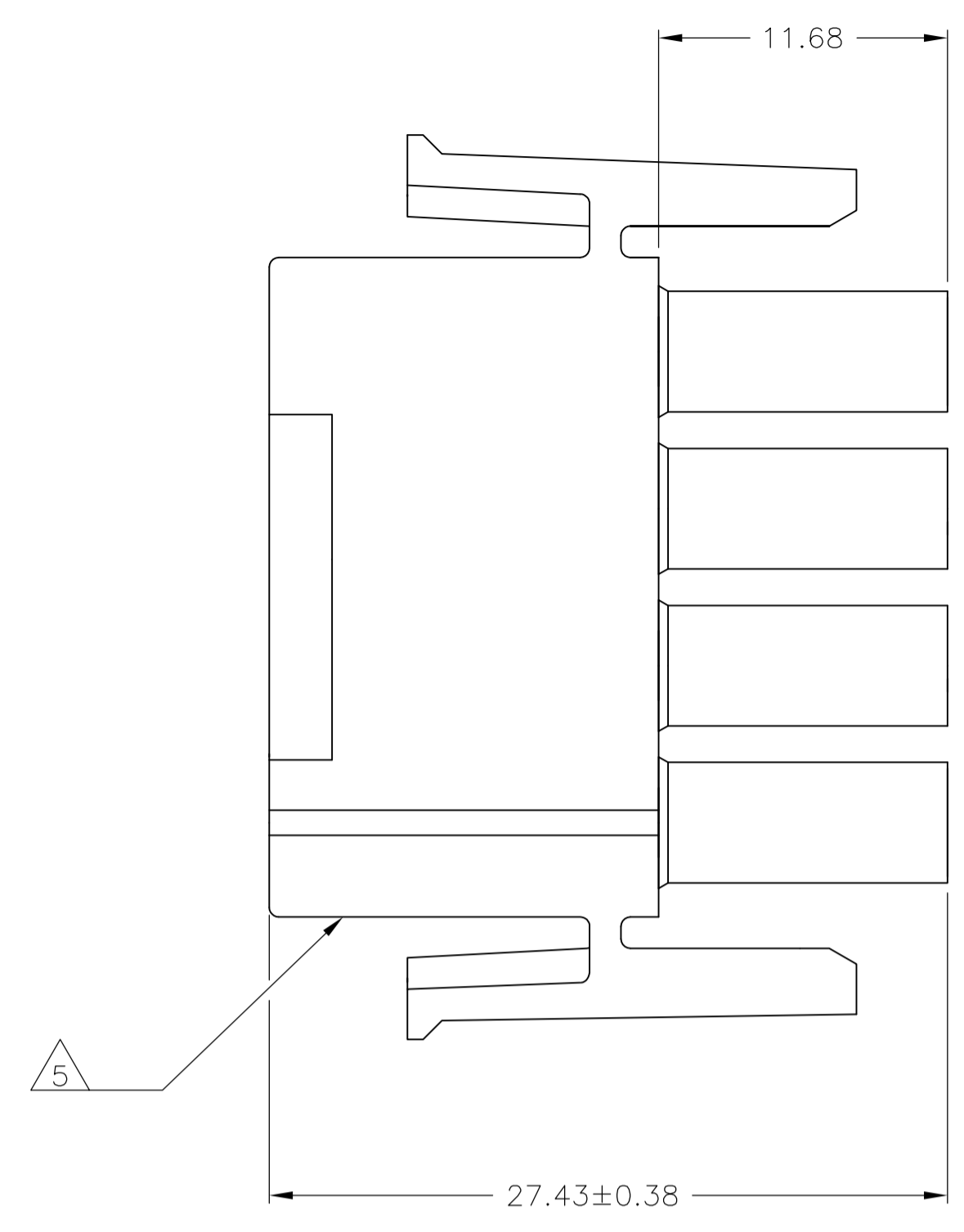
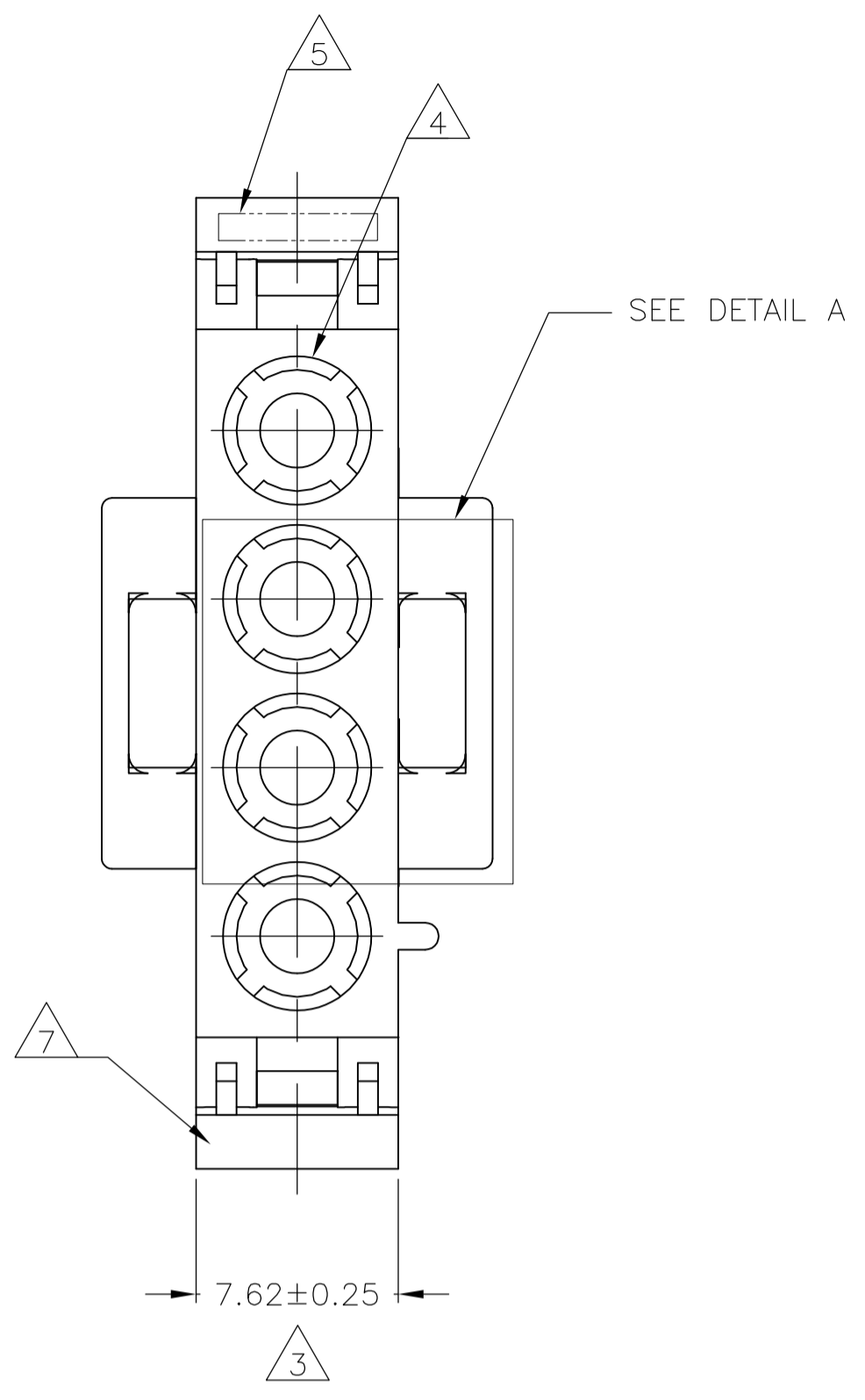


LOC		DIST		REVISIONS			
P	LTR	DESCRIPTION	DATE	DMN	APVD		
AP2	REVISED PER	ECO-11-004587	11MAR11	RK	HMR		

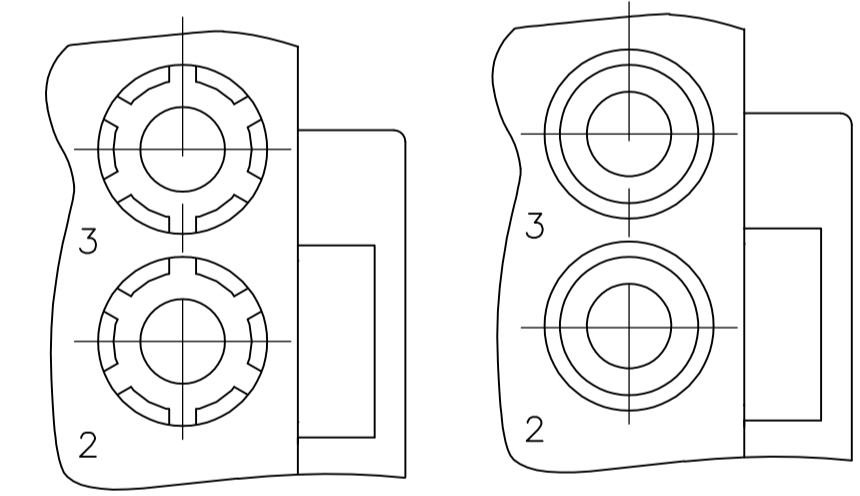


3-DIMENSIONAL MODEL
NTS

MM	IN
27.43	1.080
26.67	1.050
14.73	.580
11.68	.460
7.62	.300
0.38	.015
0.25	.010
0.13	.005
MM	IN

CONVERSION TABLE

- NOTES:
- MATES WITH APPROPRIATE UNIVERSAL MATE-N-LOK™ CAP OR HEADER.
 - SMALL NICKS ARE PERMITTED ON THE CIRCUIT TOWERS WHICH COULD INCREASE THE INITIAL HOUSING MATING FORCE BY UP TO 4.4 NEWTONS [1.0 LBS]. NO INDIVIDUAL NICKED TOWER SHALL INCREASE THIS FORCE BY OVER 2.2 NEWTONS [.5 LBS].
 - DIMENSION INDICATED IS AS MOLDED. ADDITIONAL GROWTH DUE TO SUBSEQUENT MOISTURE ABSORPTION MAY OCCUR.
 - FOUR RIBS EQUALLY SPACED, NO SPECIFIC ORIENTATION. NO RIBS OR SIX RIBS EQUALLY SPACED, NO SPECIFIC ORIENTATION, OPTIONAL.
 - UNDERWRITERS RECOGNIZED COMPONENT LOGO AND CSA CERTIFICATION LOGO TO BE LOCATED ONCE EACH ON SIDE OF HOUSING.
 - TRADEMARK LOCATION (AMP OR TE CONNECTIVITY).
 - MANUFACTURING LOCATION ID (OPTIONAL).
 - OBsolete PARTS: OBSOLETE CIS STREAMLINING PER D.RENAUD/D.SINISI



DETAIL A
OPTIONAL CONSTRUCTION

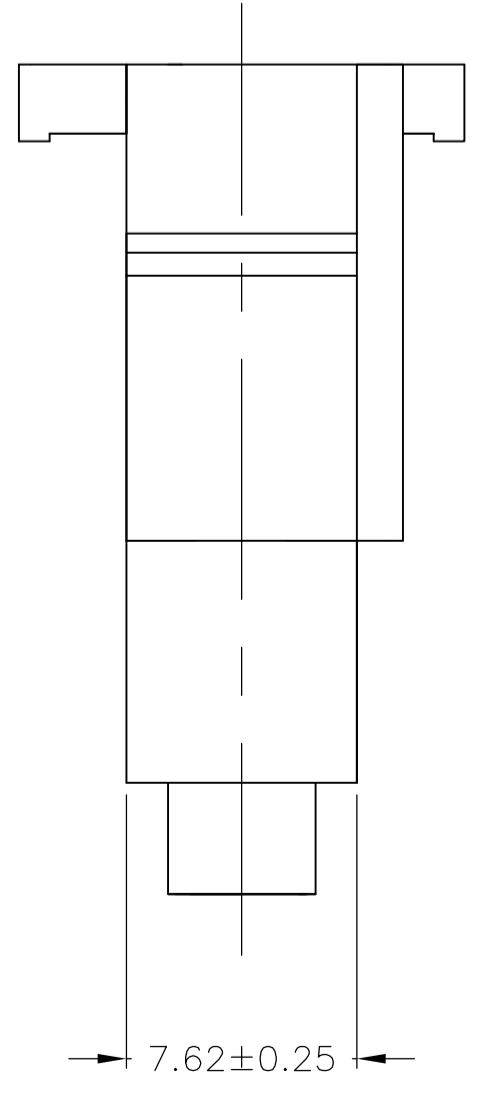
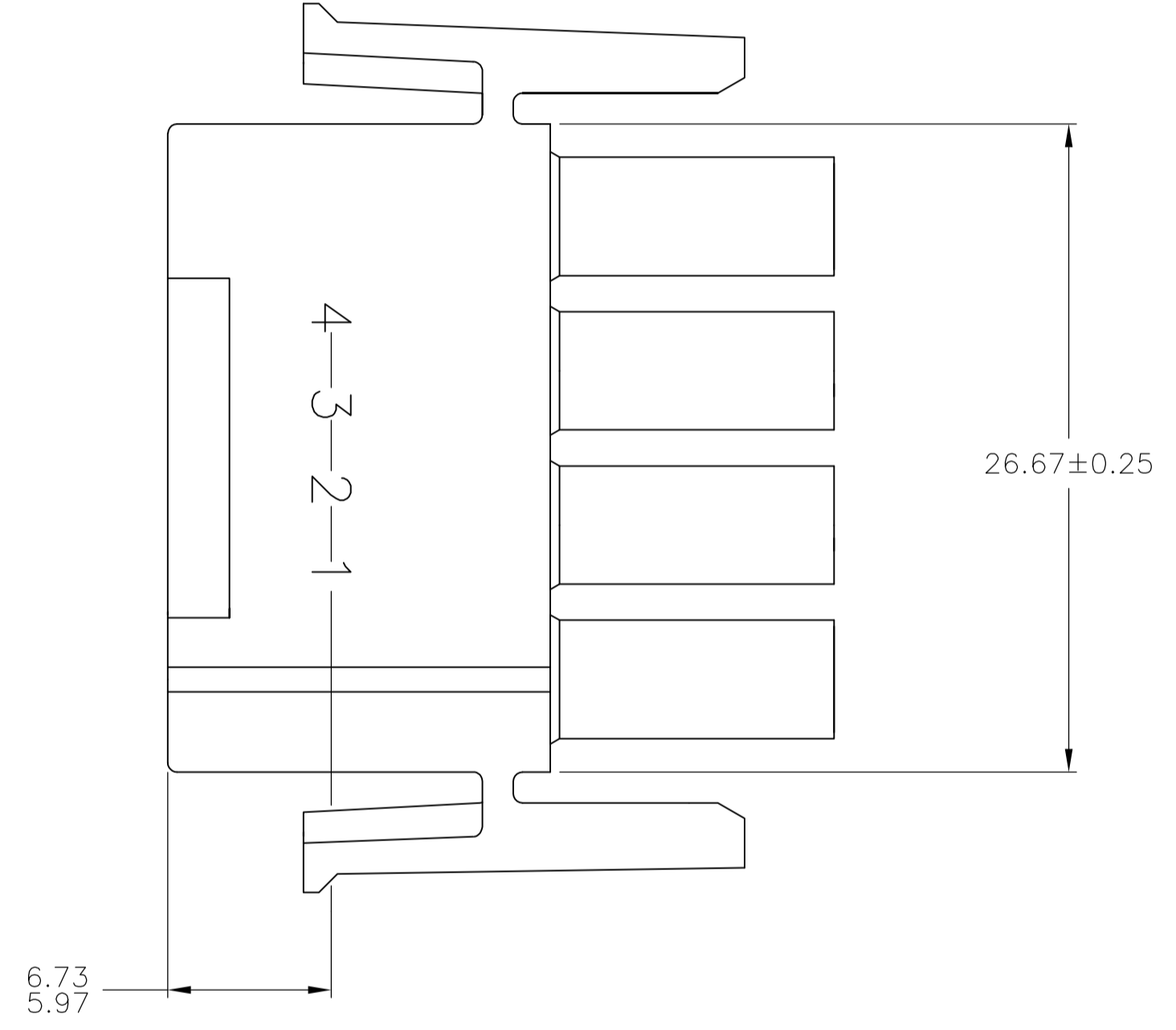
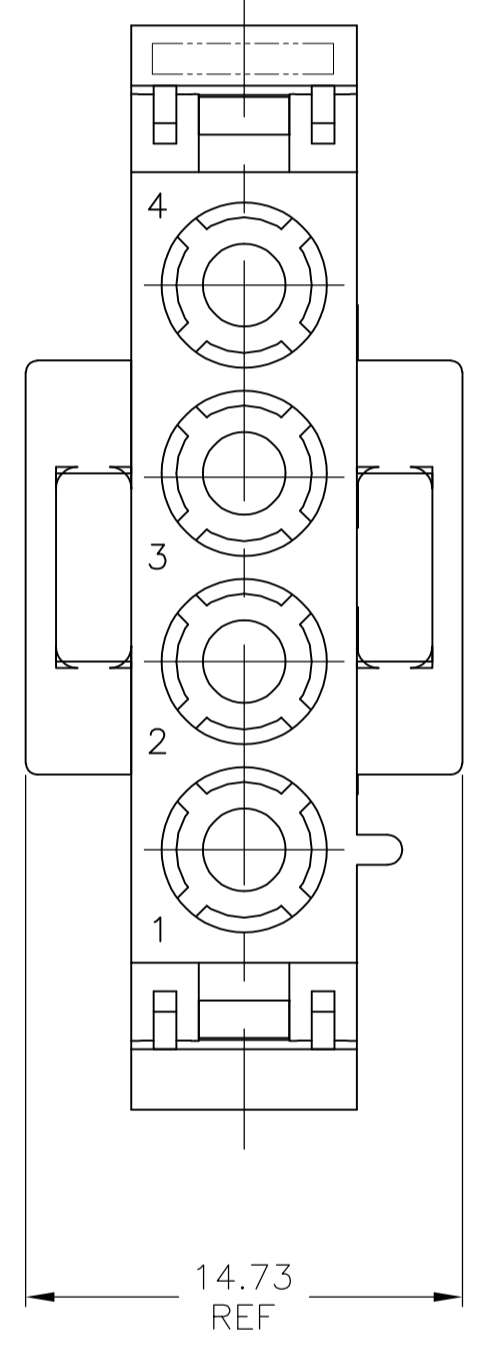
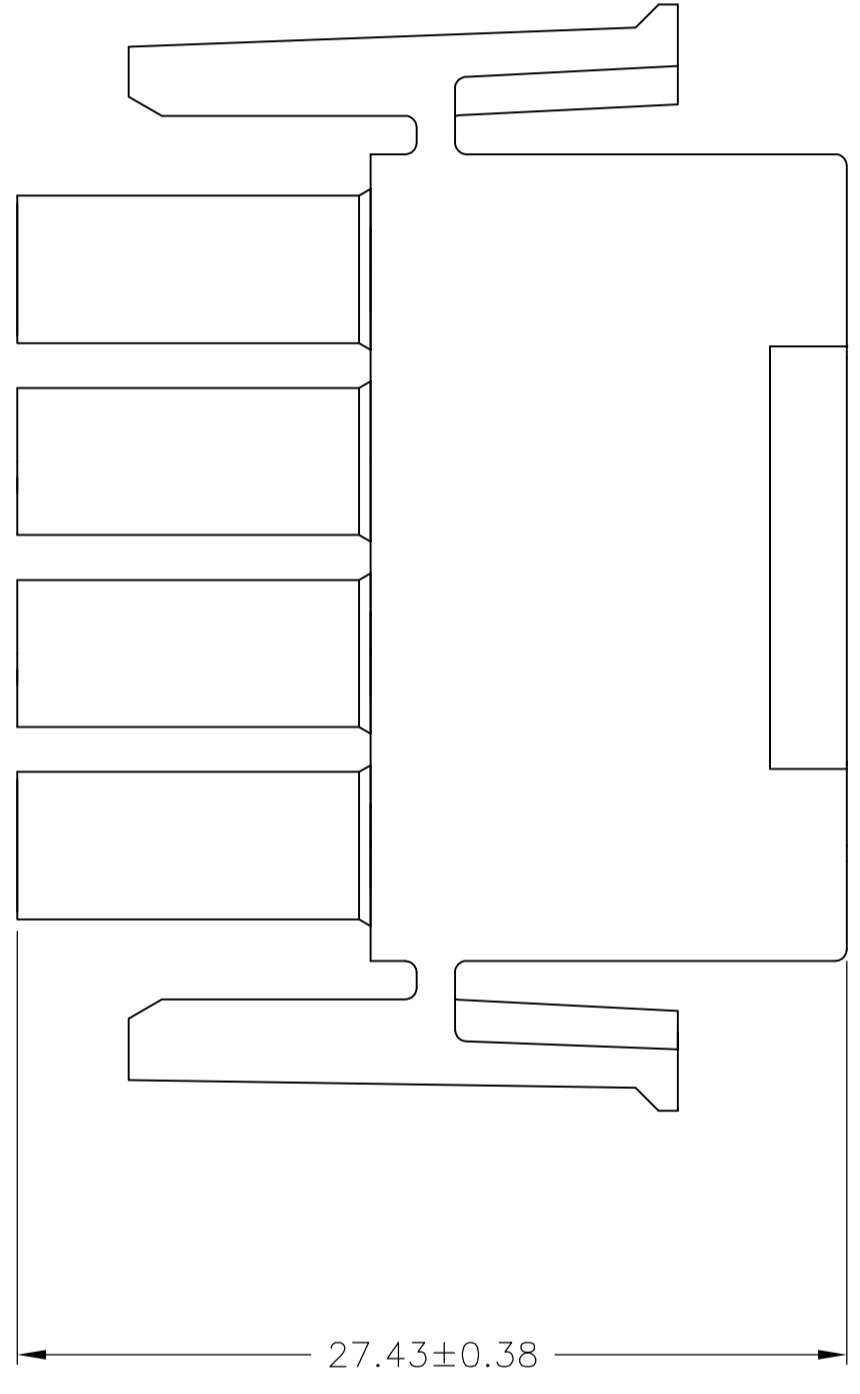
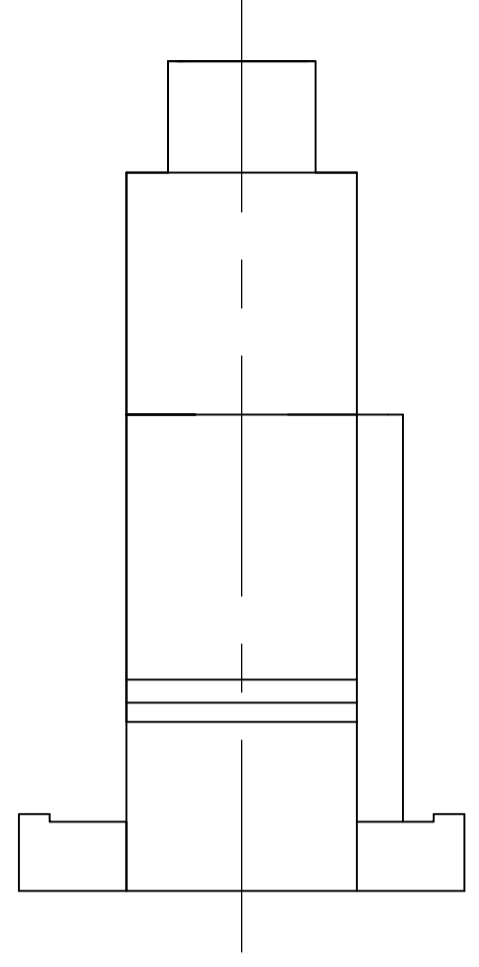
OBsolete	BLACK	1-480702-9
OBsolete	GRAY	1-480702-8
	BLUE	1-480702-6
	GREEN	1-480702-5
SUPERSEDED BY 1-480700-0	YELLOW	1-480702-4
OBsolete	ORANGE	1-480702-3
	RED	1-480702-2
	BROWN	1-480702-1
	NATURAL	1-480702-0
	COLOR	PART NUMBER

THIS DRAWING IS A CONTROLLED DOCUMENT.		DIN R VESTAL 08FEB95	STE TE Connectivity	
DIMENSIONS: mm		CHK R SWING 08FEB95	NAME	
TOLERANCES UNLESS OTHERWISE SPECIFIED:		APVD D SELF 08FEB95	PRODUCT SPEC	
0. PLC ± -		APPLICATION SPEC		
1. PLC ± -		SIZE		
2. PLC ± 0.13		CAGE CODE		
3. PLC ± -		DRAWING NO		
4. PLC ± -		RESTRICTED TO		
ANGLES ± 0°30'		WEIGHT		
FINISH		A1 00779 C=480702		
MATERIAL NYLON, UL 94V-2		CUSTOMER DRAWING		
		SCALE 4:1 SHEET 1 OF 2 REV AP2		

METRIC

LOC	DIST	REVISIONS				
CM	0	REV	DESCRIPTION	DATE	BY	APPV
-	-	1	SEE SHEET 1	-	-	-

- NOTES:
1. STAMP NUMBERS 3.18 HIGH AT WIRE END OF HOUSING (12 POINT DAVID TYPE).
 2. CHARACTERS TO BE POSITIONED ON HOUSING TO BE READ FROM WIRE END ONLY.
 3. VIOLET, BLACK, BROWN AND BLUE COLORED BLOCKS TO BE STAMPED WITH WHITE CHARACTERS. ALL OTHER COLORED BLOCKS TO BE STAMPED WITH BLACK CHARACTERS.



6.73	.265	-	-
5.97	.235	-	-
3.18	.125	27.43	1.080
0.38	.015	26.67	1.050
0.25	.010	14.73	.580
0.13	.005	7.62	.300
MM	IN	MM	IN

CONVERSION TABLE

NATURAL COLOR	2-480702-0
	PART NUMBER



THIS DRAWING IS A CONTROLLED DOCUMENT.		DIN R VESTAL 08FEB95	PLUG, 4 CIRCUIT, UNIVERSAL MATE-N-LOK(TM)	
DIMENSIONS: mm		CHK R SWING 08FEB95	NAME	
TOLERANCES UNLESS OTHERWISE SPECIFIED:		APVD D SELF 08FEB95	PRODUCT SPEC	
0. PLC ± -		APPLICATION SPEC		
1. PLC ± -		SIZE		
2. PLC ± 0.13		CAGE CODE		
3. PLC ± -		DRAWING NO		
4. PLC ± -		RESTRICTED TO		
ANGLES ± 0°30'		WEIGHT		
MATERIAL NYLON, UL 94V-2		FINISH -		
		CUSTOMER DRAWING		
		SCALE 4:1 SHEET 2 OF 2 REV AP2		

